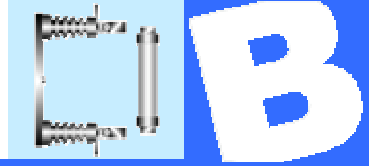


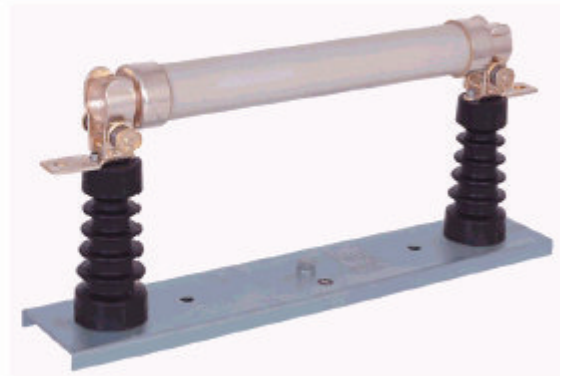
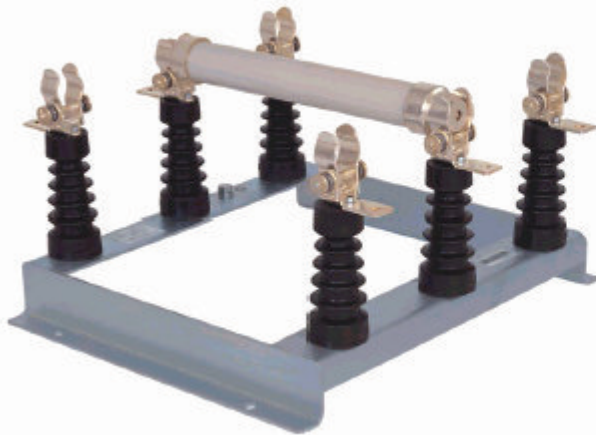
DRIWISA™ FUSE-HOLDERS

SINGLE AND THREE-POLE

INDOOR SERVICE



OVERVIEW



DRIWISA™ fuse-holders are used as connecting and holding elements for **DRIWISA™** high voltage current-limiting fuses, as well as for other fuse brands, manufactured in accordance with the international standards (IEC and DIN), that can be installed in networks from 4.16kV up to 38 kV.

Fuse-holders are designed in one and three-pole versions.

DRIWISA™ fuse-holders are built on a galvanized steel frame, with **DRIWISA™** resin insulator standoffs (refer to Insulators section) upon which connecting contacts and fuse-clips are firmly mounted. These contacts and clips are made out of silver-plated copper.

Fuse-holder applications are found in the Bank of batteries, potential transformer protection, etc.

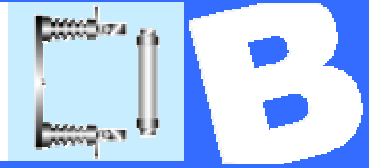
The clips are designed to provide tight pressure upon the fuse-contacts, which is the guaranteed for an ample contact surface and minimum resistance, avoiding overheating and keeping the fuses in their right place, without the risk of falling out in any position of the fuse-holder. Although the fuses are tightly kept in place, their extraction is easy with the help of **DRIWISA™** fuse-pliers (refer to Accessories section).

The corresponding Selection Guides describe the available versions of fuse-holders, as well as optional accessories, such as auxiliary contacts for signaling and control purposes.

DRIWISA™ FUSE-HOLDERS

SINGLE AND THREE-POLE

INDOOR SERVICE



SPECIFICATIONS AND TECHNICAL DATA

SERIES	MAXIMUM VOLTAGE kV Ur	RATED CURRENT A Ir	BASIC IMPULSE LEVEL (BIL) 1.2 x 50 μs Up kV		WITHSTAND VOLTAGE 60 Hz 1 min DRY Ud kV	
			TO GROUND AND BETWEEN POLES	ACROSS OPEN GAP	TO GROUND AND BETWEEN POLES	ACROSS OPEN GAP
			07	7.2	630	60
15	17.5	630	95	110	38	45
20	25.8	630	125	140	60	66
30	38	630	150	165	80	88

Obtained tested values

NORMAL OPERATING CONDITIONS:

OPERATION TEMPERATURE -10° C / 40° C

RELATIVE HUMIDITY < 60%

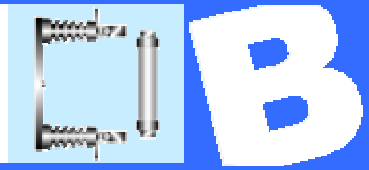
ALL THE ELECTRICAL VALUES ARE REFERING TO 1000 meters above sea level.

FOR INSTALATIONS IN HIGHER ALTITUDES YOU MUST APPLY CORRECTION FACTORS.

DRIWISA™ FUSE-HOLDERS

SINGLE AND THREE-POLE

INDOOR SERVICE

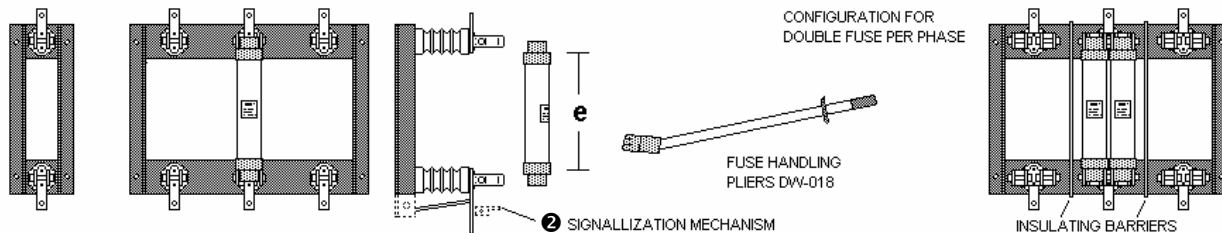


SELECTION CHART

		SP	□□/	06	□	AM	□		
DEVICE CODE _____								DRIVE MECHANISM	
SINGLE-POLE FUSE-HOLDER		SP						A -- WITHOUT MECHANISM,	
THREE-POLE FUSE-HOLDER		DSP						OPERATION	
MAXIMUM VOLTAGE _____								M -- MANUAL, FUSE HANDLING WITH FUSE PLIERS TYPE DW-018	
7.2 kV	----	07						AUXILIARY CONTACTS FOR CONTROL AND SIGNALLIZATION	
17.5 kV	----	15						N -- WITHOUT AUXILIARY CONTACTS	
25.8 kV	----	20						O -- GENERAL FUSE STATUS INDICATION (TWO S3 CONTACTS PER FUSE HOLDER)	
38 kV	----	30							
RATED CURRENT _____									
630 A	----	06							
FUSE-HOLDER LENGTH ❶ _____									
ONE FUSE PER POLE ARRANGEMENT									
e = 162 / 192 mm	----	1							
e = 280 / 292 mm	----	2							
e = 433 / 442 mm	----	4							
e = 537 mm	----	5							
TWO-PARALLELED FUSES-PER-POLE ARRANGEMENT									
(INSULATING BARRIERS INCLUDED IN THREE-POLE MODELS DSP)									
e = 192 mm	----	6							
e = 292 mm	----	7							
e = 442 mm	----	8							
e = 537 mm	----	9							

❶ FOR FUSE SELECTION, CONSULT THE CORRESPONDING SELECTION CHART IN THE FUSE SECTION

☀ THE OPERATION AND STANDARD MOUNTING POSITION ARE SHOWN IN THE SKETCH BELOW:

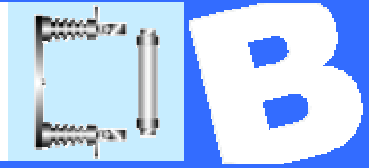


❷ APPLICABLE ONLY TO THREE-POLE VERSIONS

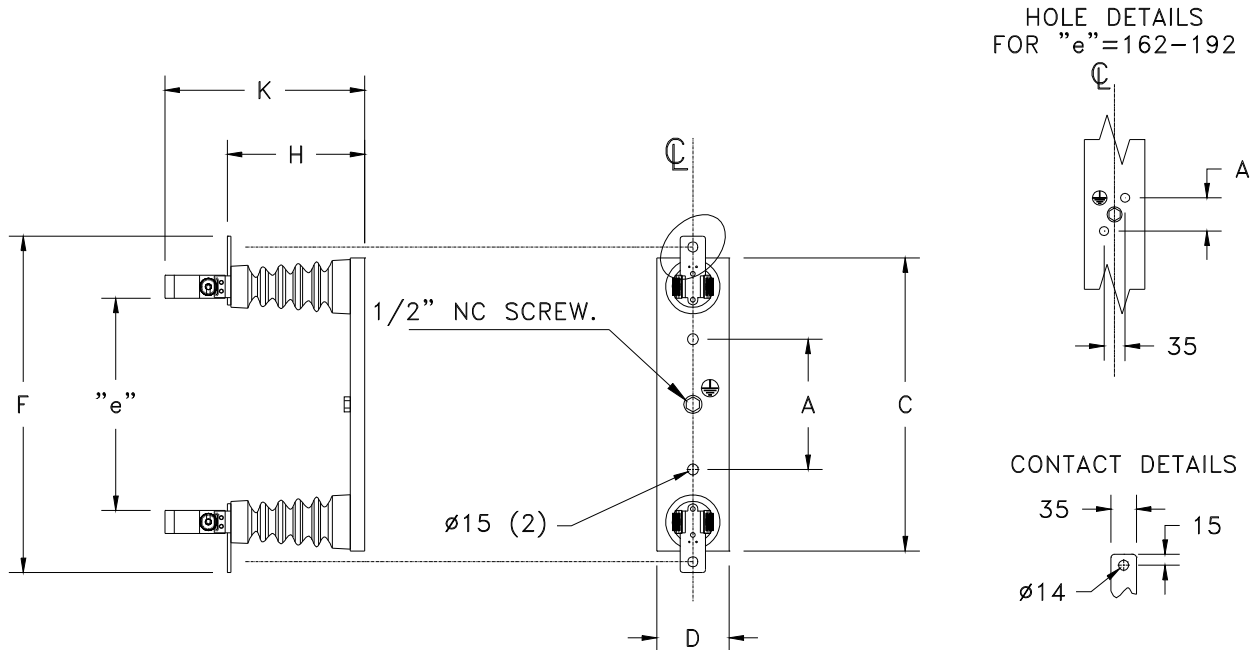
DRIWISA™ FUSE-HOLDERS

SINGLE POLE

INDOOR SERVICE



DIMENSION CHARTS FOR SERIES 07, 15, 20 AND 30 (630 A)



SERIES	CODE	A	C	D	"e"	*"e"	F	*F	H	K
7	SP 07 / 061	55	305	100	193	162	365	335	125	211
7	SP 07 / 062	180	405	100	293	280	465	453	125	211
7	SP 07 / 064	300	620	120	443	433	615	606	125	211
15	SP 15 / 062	180	405	100	293	280	465	453	190	276
15	SP 15 / 064	300	620	120	443	433	615	606	190	276
15	SP 15 / 065	380	670	120	538		710		190	276
20	SP 20 / 064	300	620	120	443	433	615	606	235	321
20	SP 20 / 065	380	670	120	538		710		235	321
30	SP 30 / 065	380	670	120	538		710		324	411

DIMENSIONS WITH (*) APPLY FOR REDUCED SIZE FUSES

DIMENSIONS IN mm.

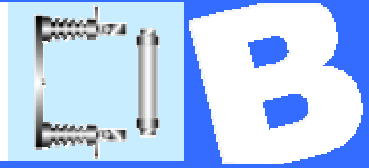
GENERAL TOLERANCES ± 5.0 mm.

DIMENSIONS AND SPECIFICATIONS MAY CHANGE WITHOUT PRIOR NOTICE.

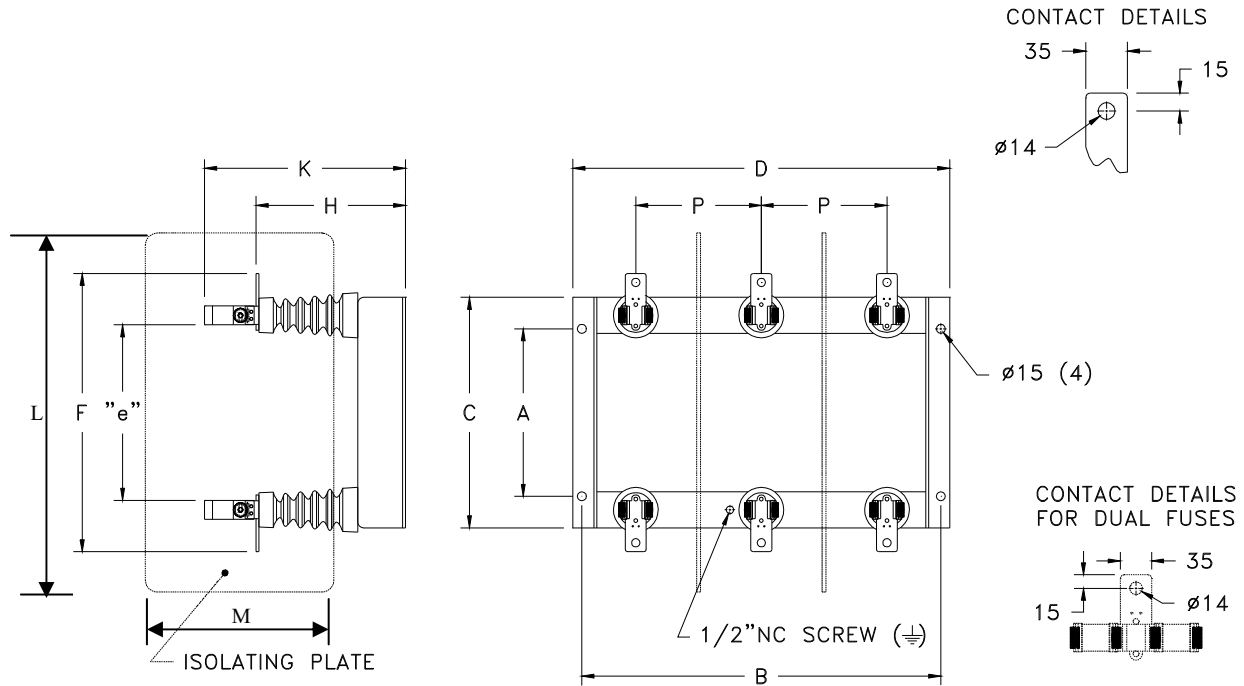
DRIWISA™ FUSE-HOLDERS

THREE POLE

INDOOR SERVICE



DIMENSION CHARTS FOR SERIES 07, 15, 20 AND 30 (630A).



SERIES	CODE	A	B	C	D	"e"	*"e"	F	*F	P	H	K	L	M
7	DSP 07 / 061 - 066	250	600	285	630	193	162	365	335	210	185	271	450	300
7	DSP 07 / 062 - 067	280	600	385	630	293	280	465	453	210	185	271	600	300
7	DSP 07 / 064 - 068	350	600	535	630	443	433	615	606	210	185	271	800	300
15	DSP 15 / 062 - 067	280	600	385	630	293	280	465	453	210	250	336	600	355
15	DSP 15 / 064 - 068	350	600	535	630	443	433	615	606	210	250	336	800	355
20	DSP 20 / 064 - 068	370	750	555	780	443	433	615	606	300	295	381	800	440
20	DSP 20 / 065 - 069	620	750	670	780	538		710		300	295	381	900	440
30	DSP 30 / 065 - 069	620	1000	670	1040	538		710		400	405	491	900	550

DIMENSIONS WITH (*) APPLY FOR REDUCED SIZE FUSES.
 DOTTED LINES APPLY FOR DUAL FUSES.

DIMENSIONS IN mm.
 GENERAL TOLERANCES ±5.0 mm.
 DIMENSIONS AND SPECIFICATIONS MAY CHANGE WITHOUT PRIOR NOTICE.